

7-090 Quarter-Turn with T-Handle Pr20.1 L18

Hand operable with or without key, IP65, Stainless Steel, Optional pre-assembly

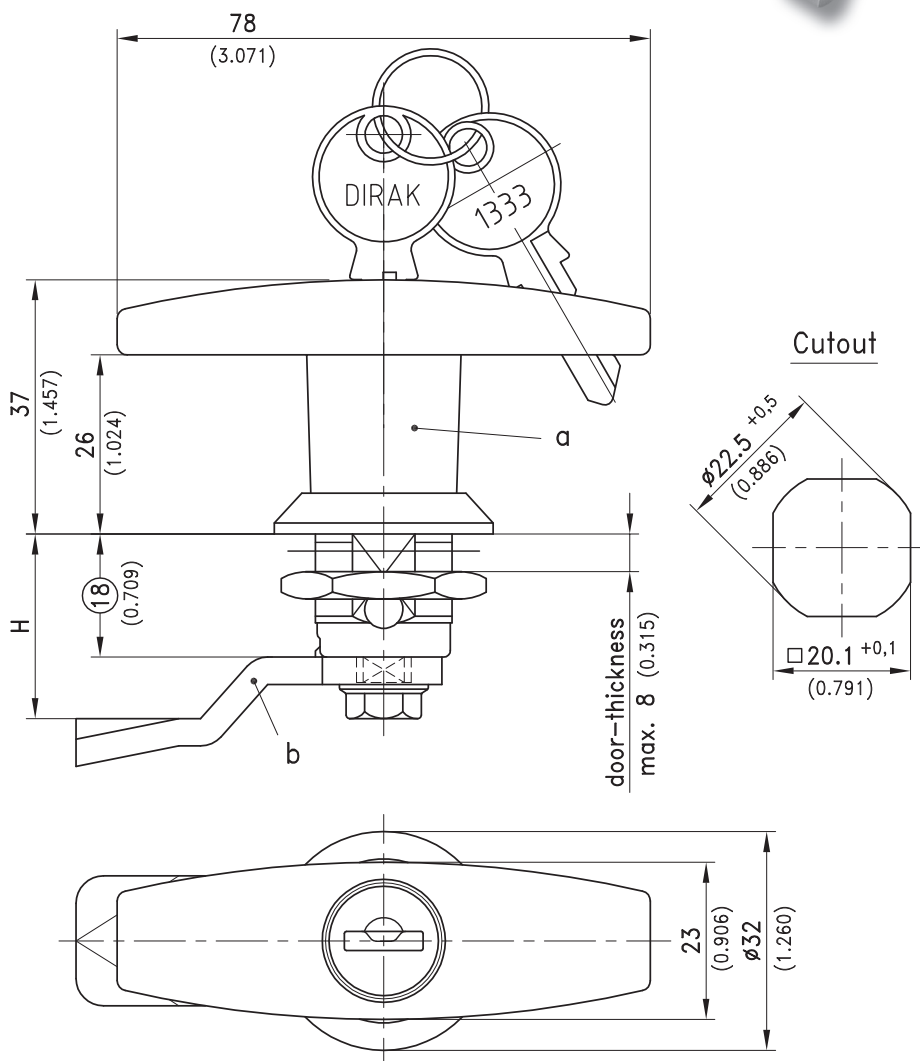
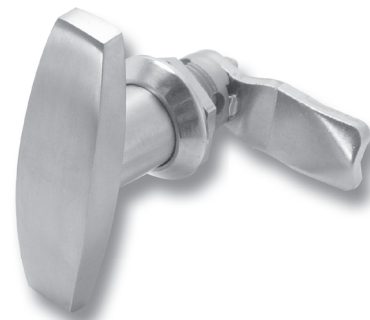


Product Notes:

- RH and LH application
- Water and dust tight according to IP65, DIN EN 60529
- Quarter-Turn consists of two components which are combined to fit application
- Components can be pre-assembled by DIRAK upon request
- Pre-assembled Quarter-Turn can be installed in cutout
- Zinc die - see Product System 1-140

Material:

- **T-Handle:** AISI 316, Surface Polished
- **Nut and cam:** Stainless Steel



a) Quarter-turn with T-handle with nut	Part No.	See Page
non locking	200-9374	
keyed alike 1333	200-9398	
keyed different	200-9399	
b) Cams		01.24, 01.102, 03.42
Please order separately:		
c) Assembling of cam	200-0001	
Assembling cam 90° to handle without O-ring	200-0019	
All lockable handles supplied with two keys.		